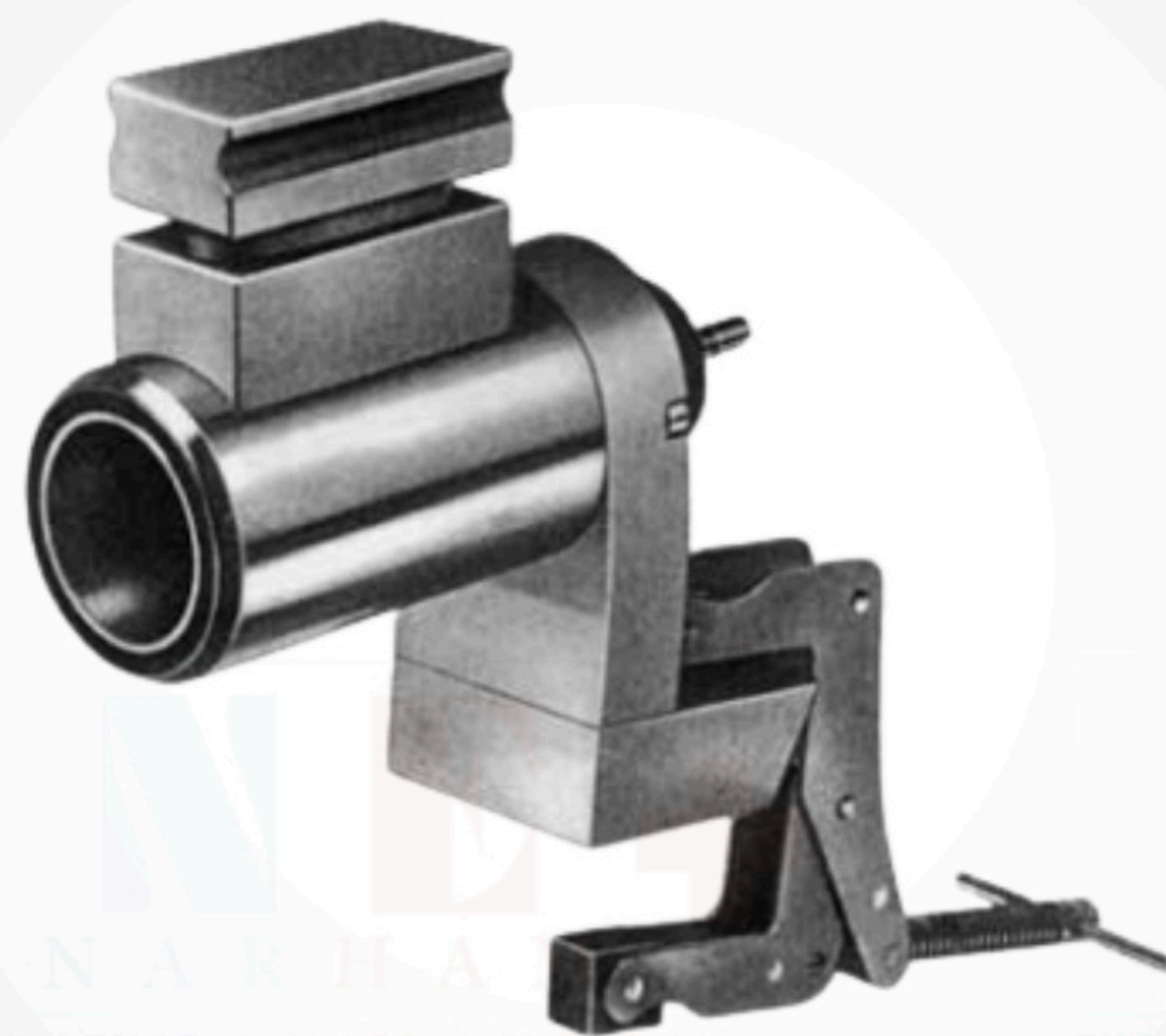


MISCELLANEOUS ORTHOPEDIC



The miscellaneous orthopedic category includes a wide range of specialized instruments that support various surgical tasks not covered under standard classifications. These tools are designed to assist in handling, positioning, and procedural efficiency across different orthopedic techniques. Each instrument is crafted with the same commitment to quality, precision, and durability, ensuring reliable performance in every surgical setting.

LEAD HANDS

Oxidation of lead surfaces is a normal process. To prolong the life of lead hands, autoclave temperatures should not exceed 248° F (120° C). Avoid using chemical sterilization as it can cause severe corrosion.



CODE #	DESCRIPTION
NE49090	Adult, 14-1/2" (37 cm)
NE49092	Child, 9-1/2" (24 cm)

LEAD HANDS

Thinner and more flexible model. Longer fingers wrap on ends, eliminating side tabs.



CODE #	DESCRIPTION
NE49093	Adult, 2 mm thick, 9-1/2" (24 cm)

TAYLOR PERCUNEION HAMMER



CODE #	DESCRIPTION
NE28468	8" (20.5 cm)

RING CUTTERS

FINGER RING CUTTER



CODE #	DESCRIPTION
NE29430	Chrome, with saw blade, 6-1/4" (16 cm)
NE29434	Saw blade only

DIAGNOSTIC INSTRUMENTS

BUCK NEURO HAMMER STAINLENE

Stainless steel with brush and needle



CODE #	DESCRIPTION
NE28492	7-3/4" (19.5 cm)

WARTENBERG NEUROLOGICAL PIN WHEEL



CODE #	DESCRIPTION
NE28514	7" (18 cm)

SPECIALTY HAND INSTRUMENTS

JOHNSON-TUCKER HOOK AND FORK



CODE #	DESCRIPTION
NE69790	Double-ended, delicate, 6-1/2" (16.5 cm)

PROBE AND PACKER



CODE #	DESCRIPTION
NE69495	Double-ended, 1 mm and 2 mm ends, 6" (15 cm)

EXCAVATOR AND PACKER



CODE #	DESCRIPTION
NE69502	Double-ended

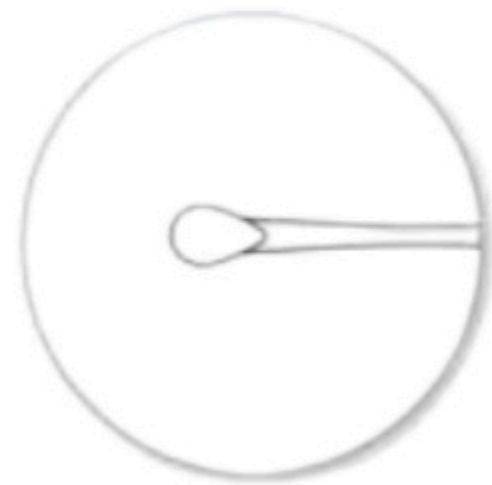
SPATULA AND PACKER



CODE #	DESCRIPTION
NE69498	Double-ended, 5-3/4" (14.5 cm)

CORN KNIVES

Single-ended.



CODE #	DESCRIPTION
NE69622	Soft Corn Knife, #45, straight, round blade
NE69623	Soft Corn Spoon Knife, slightly curved, oval blade
NE69625	Corn Knife, curved

VERUCCA CURETTE EXCAVATOR

With McGlamry Bullneck. Will resist bending



CODE #	DESCRIPTION
NE69457	Single-ended, straight, 4 mm without hole, 5" (12.5 cm)

CURETTE EXCAVATORS



CODE #	DESCRIPTION
NE69488	Double-ended, 1.5 mm and 2.0 mm ends, 5-1/2" (14 cm)
NE69492	Double-ended, 1.5 mm and 2.5 mm ends, 5-1/2" (14 cm)

CURETTE EXCAVATORS

Single-ended, with hole, 5" (12.5 cm).



CODE #	DESCRIPTION
NE69468	#58, 1.0 mm
NE69478	#58, 1.5 mm
NE69480	#58, 2.0 mm
NE69484	#58, 2.5 mm

CURETTE EXCAVATORS

Single-ended, without hole, 5" (12.5 cm)



CODE #	DESCRIPTION
NE69459	#57, 1.0 mm
NE69461	#57, 1.5 mm
NE69463	#57, 2.0 mm
NE69465	#57, 2.5 mm

LOCKE ELEVATORS

With McGlamry Bullneck. Will resist bending



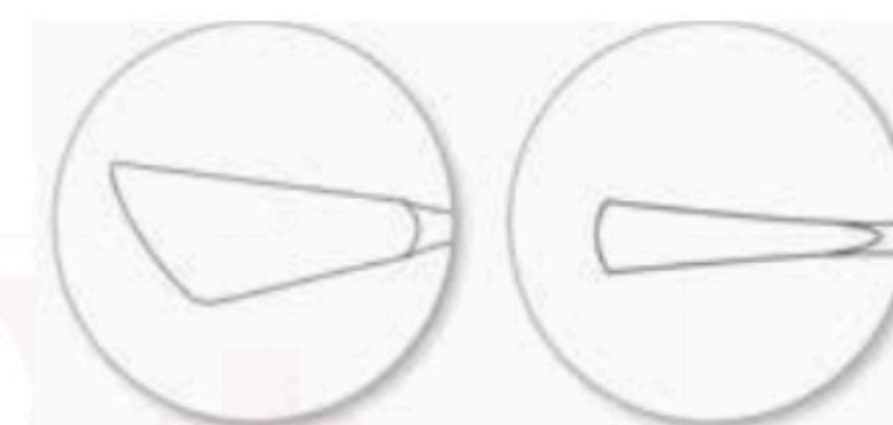
CODE #	DESCRIPTION
	Narrow blade, single-ended, 4-1/2" (11.5 cm)
	Wide blade, single-ended, 5" (12.5 cm)

GOLF STICK KNIVES



CODE #	DESCRIPTION
NE69618	#41
NE69620	#43

CHISELS



CODE #	DESCRIPTION
NE69640	Curved, medium
NE69645	Curved, extra-large
NE69650	Curved, spade pattern

MISCELLANEOUS ORTHOPEDIC

PELVIC BALL SPIKE



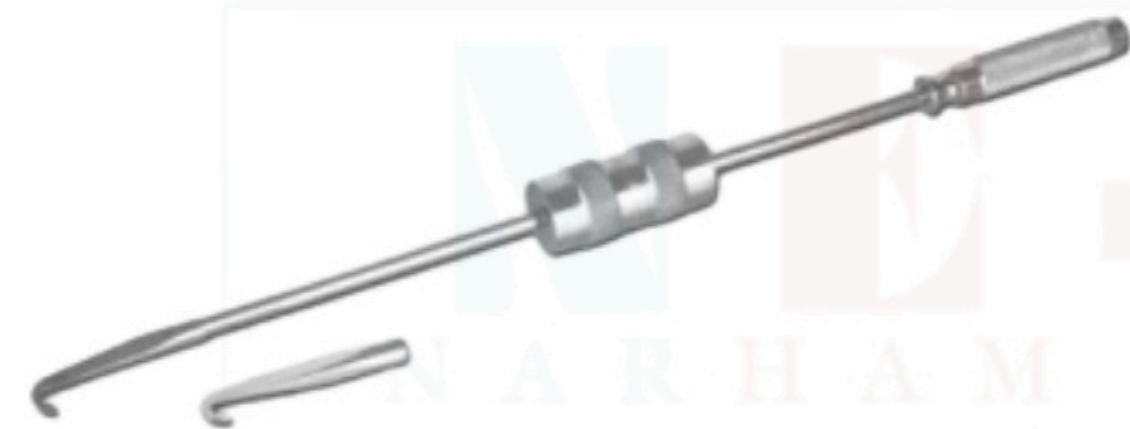
CODE #	DESCRIPTION
	Straight, 11-3/4" (30 cm)
NE47921	Spiked disk only

KUNTSCHER SKIN PROTECTOR



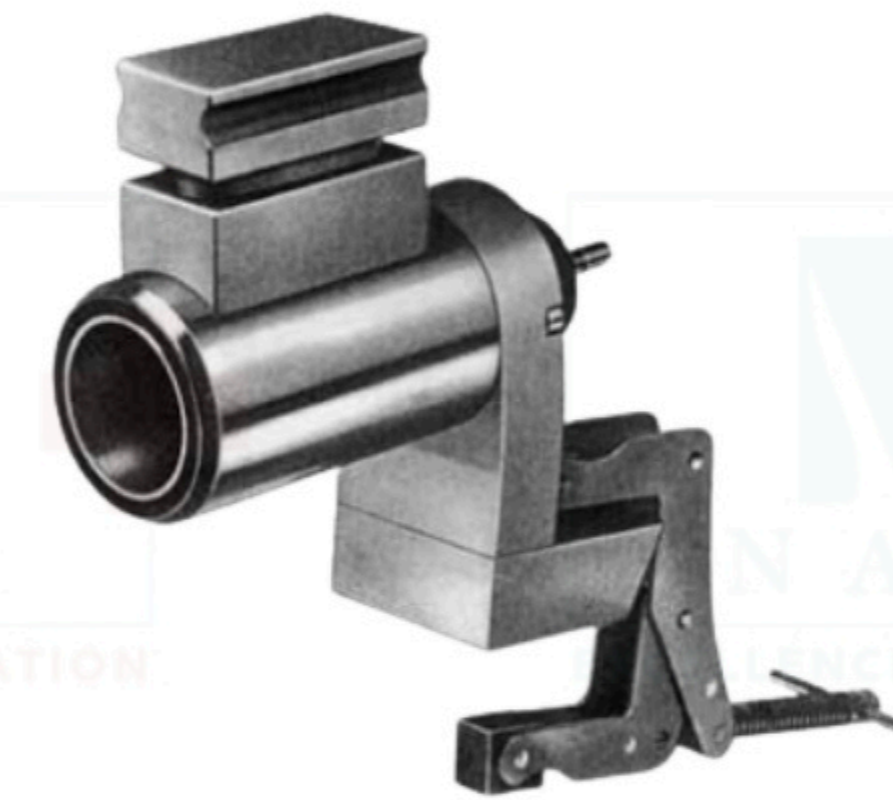
CODE #	DESCRIPTION
NE48297	6-1/8" (15.5 cm)

KUNTSCHER EXTRACTORS



CODE #	DESCRIPTION
NE48288	Femoral, 19-1/8" (48.5 cm)

BONE MILL



CODE #	DESCRIPTION
NE1011	With crank and table clamp

KUNTSCHER REAMER



CODE #	DESCRIPTION
NE48301	Cannulated, 15" (38 cm)