

OSTEOTOMES

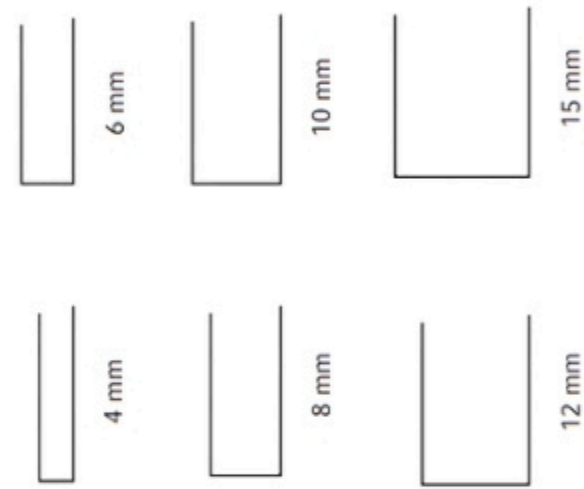
Osteotomes are used to cut or reshape bone with controlled force during orthopedic surgeries. Designed with sharp, tapered blades, they allow for precise bone sectioning while minimizing trauma to surrounding tissue. Made from high-strength surgical steel, our osteotomes offer excellent durability, balance, and grip for safe and effective use in a variety of procedures.



LAMBOTTE

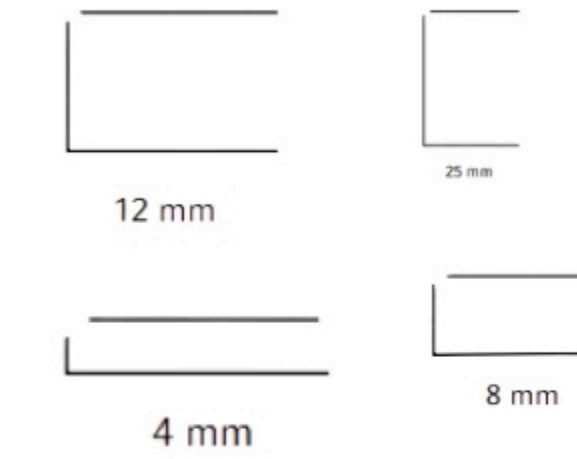
MINI-LAMBOTTE OSTEOTOMES, STRAIGHT 5"

Straight, without calibration lines, 5" (12.5 cm).



CODE #	DESCRIPTION
NE46336	1/8" (4 mm)
NE46338	1/4" (6 mm)
NE46340	5/16" (8 mm)
NE46342	3/8" (10 mm)
NE46344	1/2" (12 mm)
NE46343	9/16" (14 mm)
NE46345	5/8" (15 mm)
NE46346	11/16" (18 mm)
NE46347	3/4" (19 mm)
NE46335	13/16" (20 mm)

LAMBOTTE OSTEOTOMES, STRAIGHT 7"



CODE #	DESCRIPTION
NE46348	1/8" (4 mm)
NE46349	3/16" (5 mm)
NE46350	1/4" (6 mm)
NE46358	5/16" (8 mm)
NE46351	3/8" (10 mm)
NE46352	1/2" (12 mm)
NE46353	5/8" (16 mm)
NE46354	3/4" (19 mm)
NE46355	7/8" (22 mm)
NE46356	1" (25 mm)

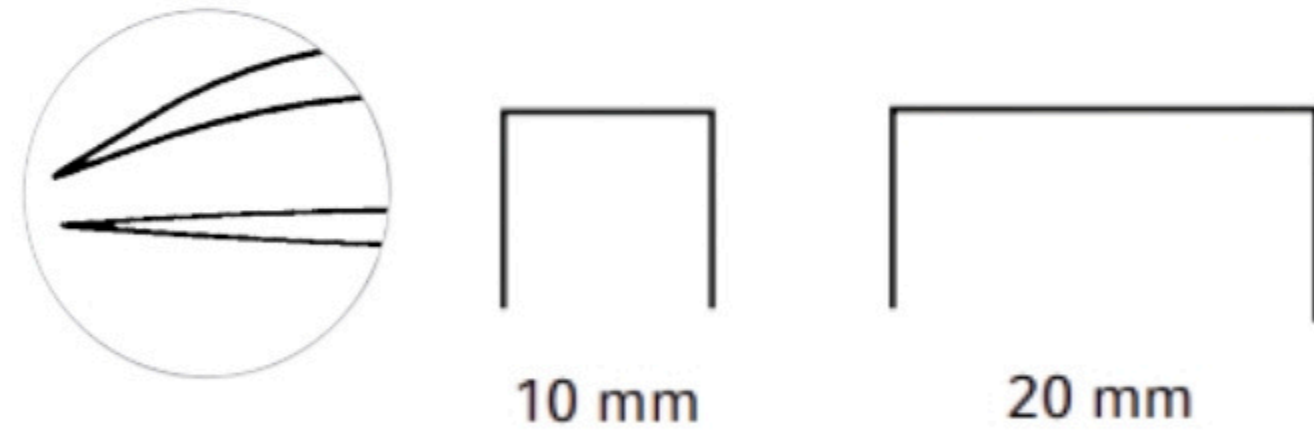
LAMBOTTE-STYLE OSTEOTOMES

flat thin blade, 5" (12.5 cm)



CODE #	DESCRIPTION
051082	2 mm
051084	4 mm
051086	6 mm
051088	8 mm
051090	10 mm
051092	12 mm
051095	15 mm

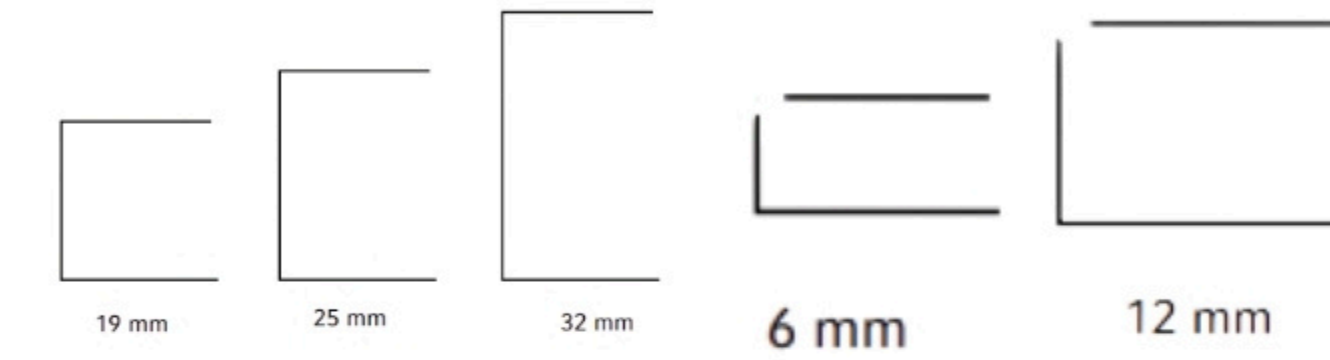
LONG BEVEL OSTEOTOMES



CODE #	DESCRIPTION
NE69940	Straight, 10 mm
NE69946	Straight, 20 mm
NE69950	Straight, 25 mm
NE69970	Curved, 5 mm
NE69975	Curved, 10 mm

LAMBOTTE OSTEOTOMES, STRAIGHT 9"

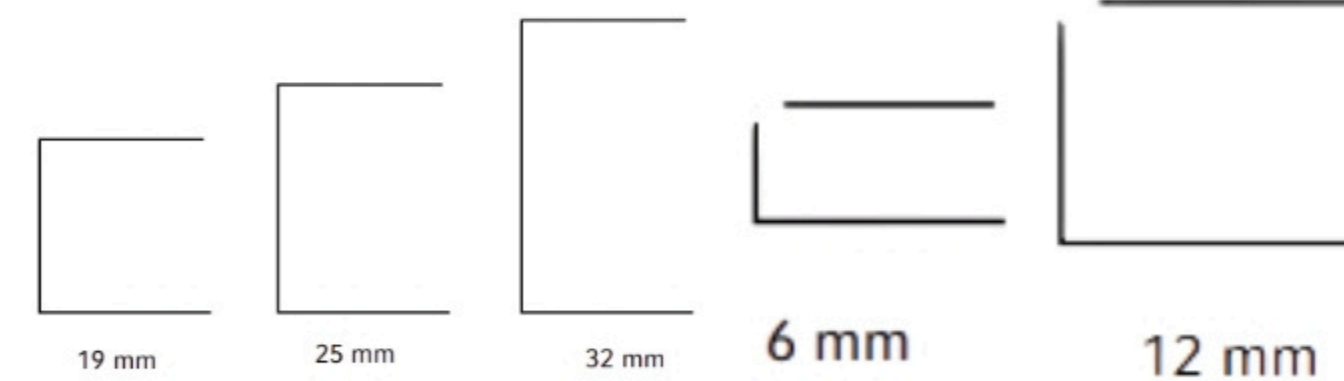
Straight, without calibration lines, 9" (23 cm).



CODE #	DESCRIPTION
NE46304	1/4" (6 mm)
NE46306	1/2" (13 mm)
NE46310	3/4" (19 mm)
NE46314	1" (25 mm)
NE46318	1-1/4" (32 mm)
NE46322	1-1/2" (38 mm)

LAMBOTTE OSTEOTOMES, CURVED 9"

Curved, without calibration lines, 9" (23 cm).



CODE #	DESCRIPTION
NE46328	1/4" (6 mm)
NE46329	1/2" (12 mm)
NE46330	3/4" (19 mm)
NE46331	1" (25 mm)
NE46332	1-1/4" (32 mm)
NE46333	1-1/2" (38 mm)

SPECIALTY OSTEOTOMES

Flat thin blade, 6" (15 cm).



CODE #	DESCRIPTION
051102	2 mm
051103	3 mm
051104	4 mm
051105	5 mm
051106	6 mm
051107	7 mm
051110	10 mm

MINI OSTEOTOMES

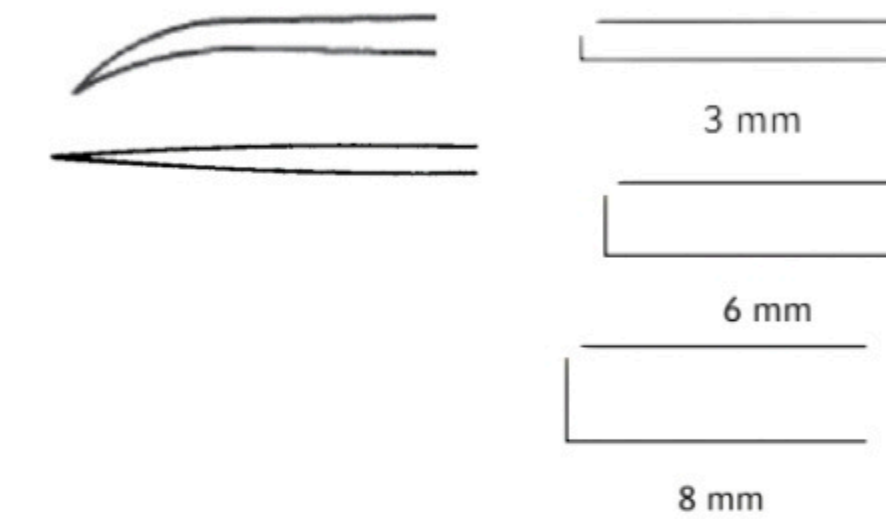
Curved, 5" (12.5 cm).



CODE #	DESCRIPTION
441207	4 mm
441208	6 mm

HOKE HOKE OSTEOTOMES

5-1/4" (13.5 cm).



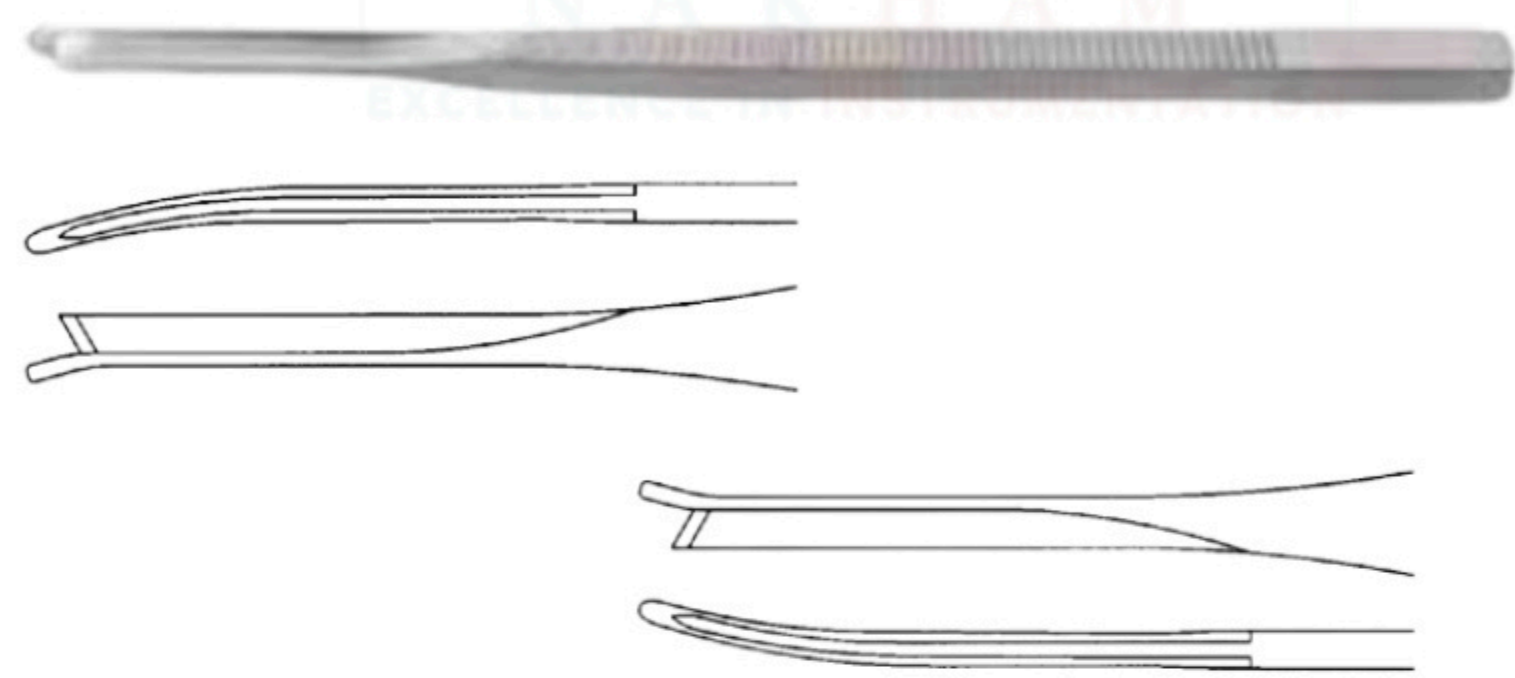
CODE #	TIP	TIP WIDTH
NE46497	Straight	1/8" (3 mm)
NE46498	Straight	3/16" (4 mm)
NE46499	Straight	1/4" (6 mm)
NE46500	Straight	5/16" (8 mm)
NE46501	Straight	3/8" (10 mm)
NE46502	Straight	1/2" (13 mm)
NE46503	Straight	5/8" (16 mm)
NE46504	Straight	3/4" (19 mm)

CODE #	TIP	TIP WIDTH
NE46700	Curved	1/8" (3 mm)
NE46701	Curved	3/16" (4 mm)
NE46702	Curved	1/4" (6 mm)
NE46703	Curved	5/16" (8 mm)
NE46704	Curved	3/8" (10 mm)
NE46706	Curved	1/2" (13 mm)
NE46708	Curved	5/8" (16 mm)
NE46709	Curved	3/4" (19 mm)

SILVER

SILVER OSTEOTOMES

Single guard, 7" (18 cm)



CODE #	DESCRIPTION
NE58100	Straight
NE58102	Guard, right
NE58104	Guard, left

U.S. Army

U.S. ARMY PATTERN OSTEOTOMES

7" (18 cm)

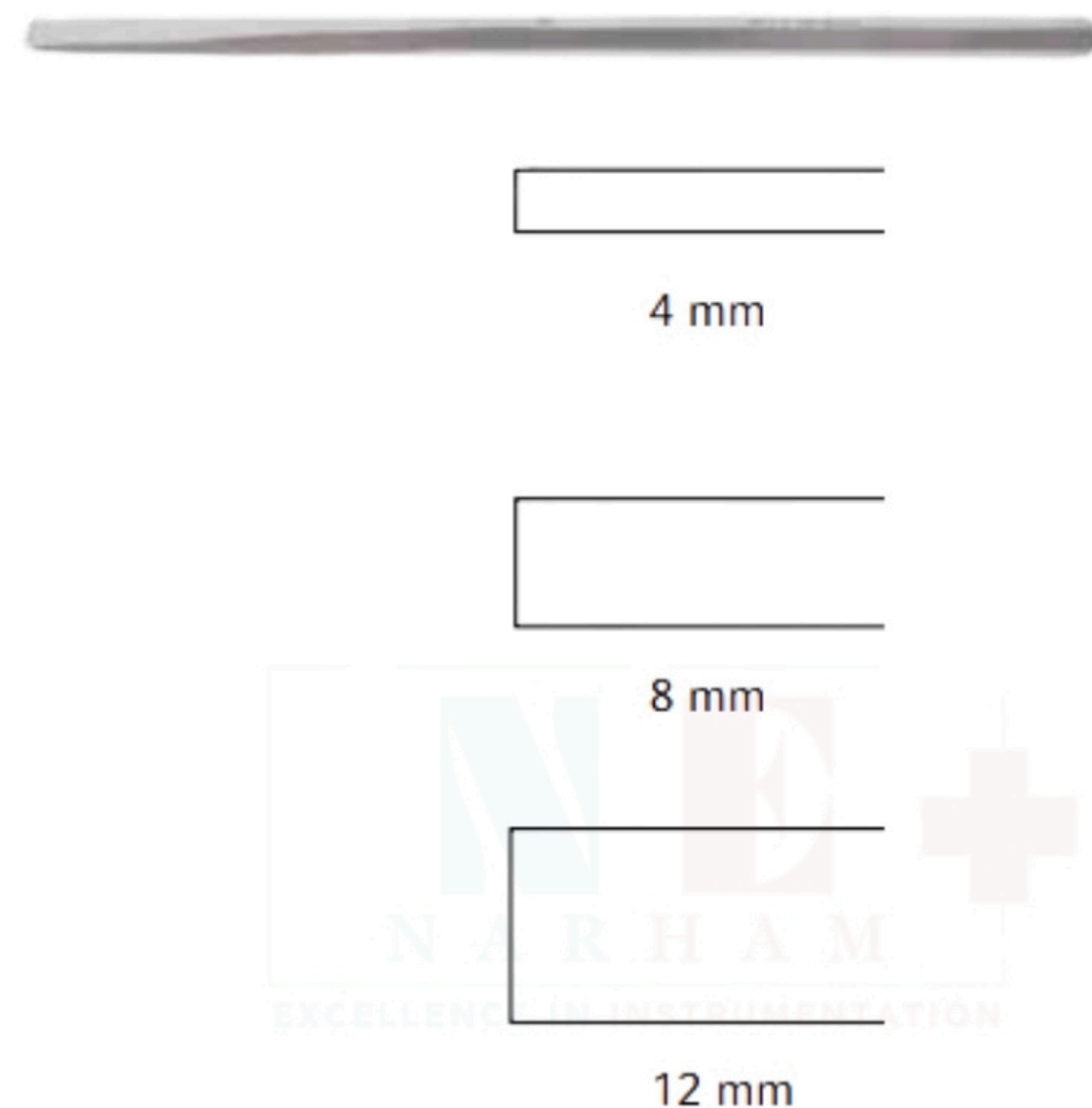


CODE #	DESCRIPTION
NE46284	6 mm
NE46286	12 mm
NE46288	18 mm

SHEEHAN

SHEEHAN OSTEOTOMES

Straight, 6-1/4" (16 cm)

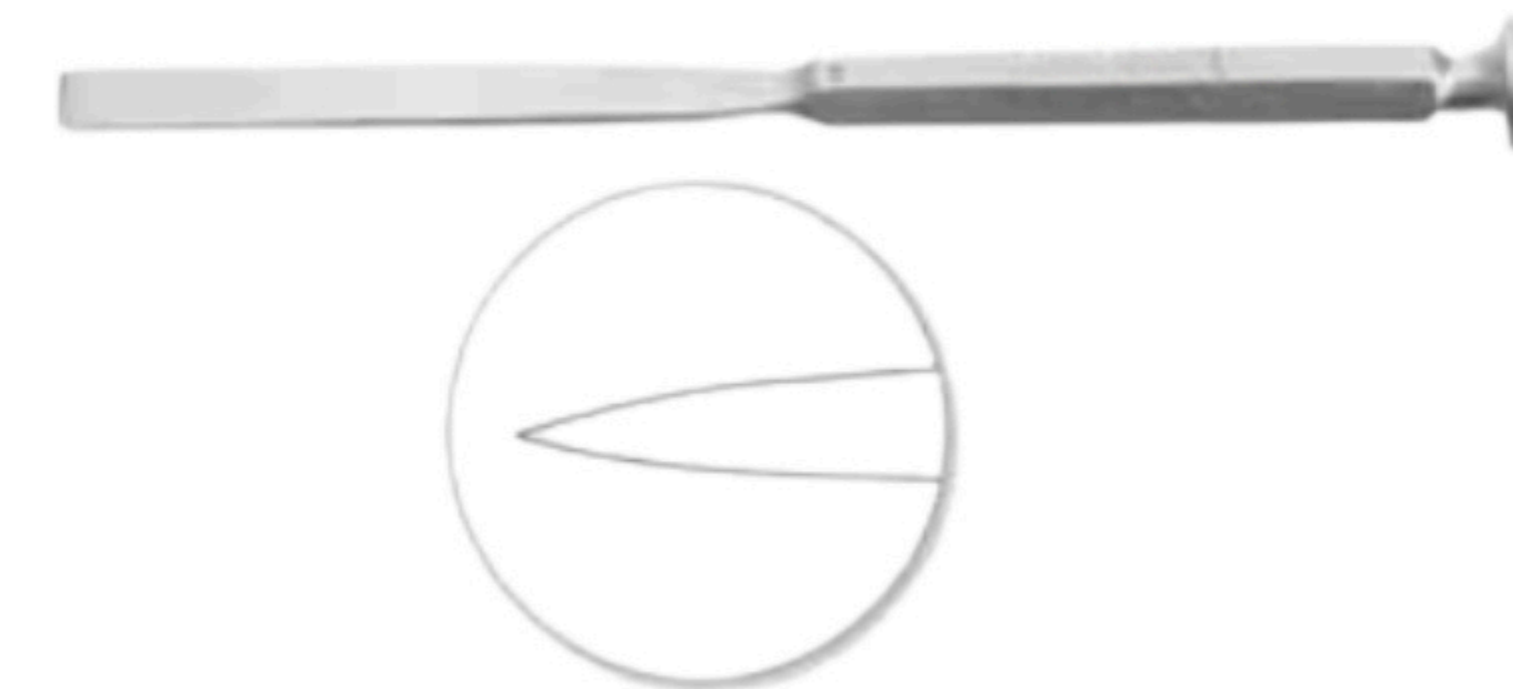


CODE #	DESCRIPTION
NE46268	2 mm
NE46270	4 mm
NE46272	6 mm
NE46274	8 mm
NE46276	10 mm
NE46278	12 mm
NE46280	15 mm

STILLE

STILLE OSTEOTOMES

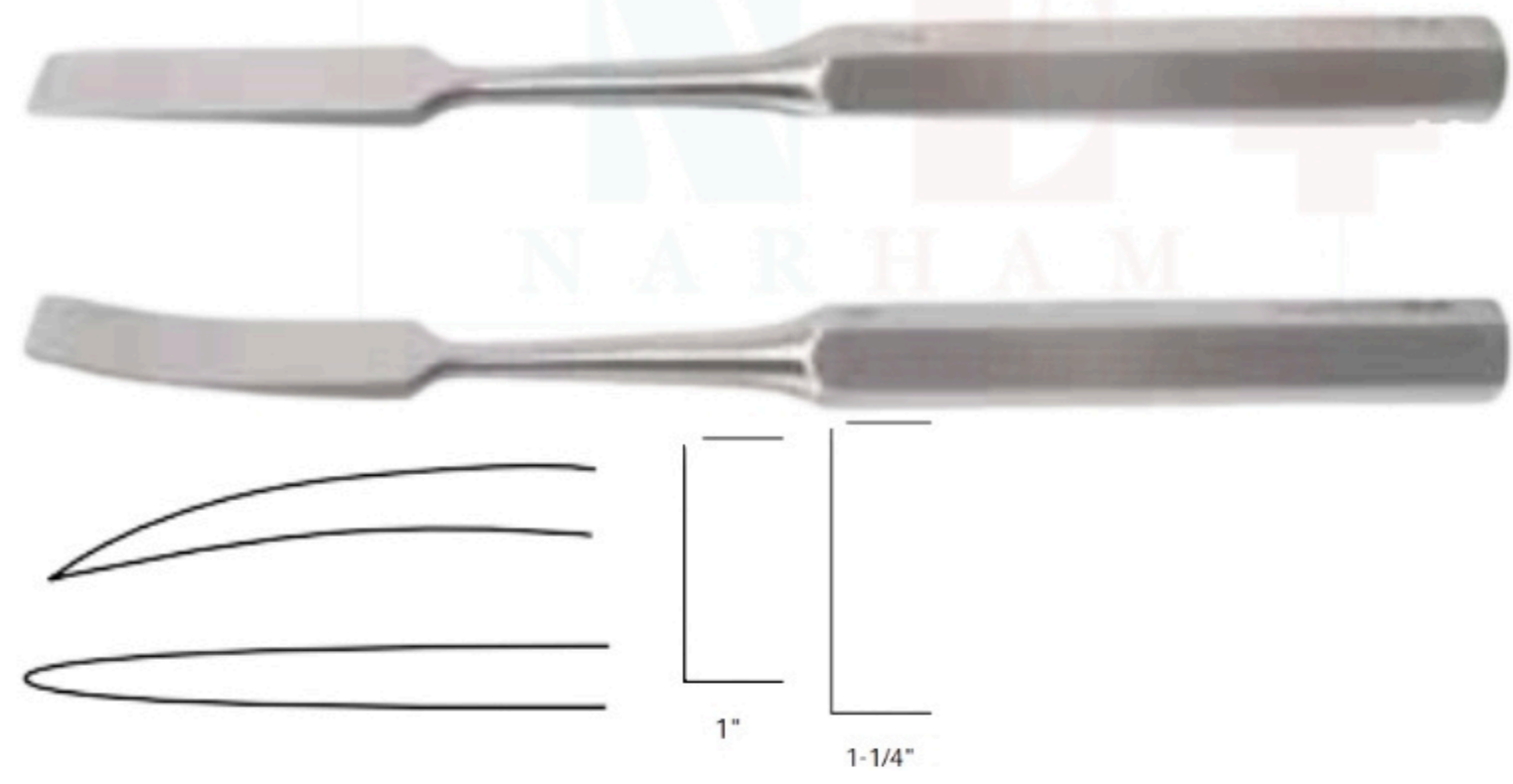
Straight, 8" (20.5 cm).



CODE #	DESCRIPTION
NE49002	10 mm
NE49004	14 mm
NE49006	18 mm
NE49008	22 mm

HIBBS

HIBBS OSTEOTOMES



CODE #	DESCRIPTION
NE1011	

HIBBS ENDOSCOPIC OSTEOTOME

Straight tip, 18-1/2" (47 cm).

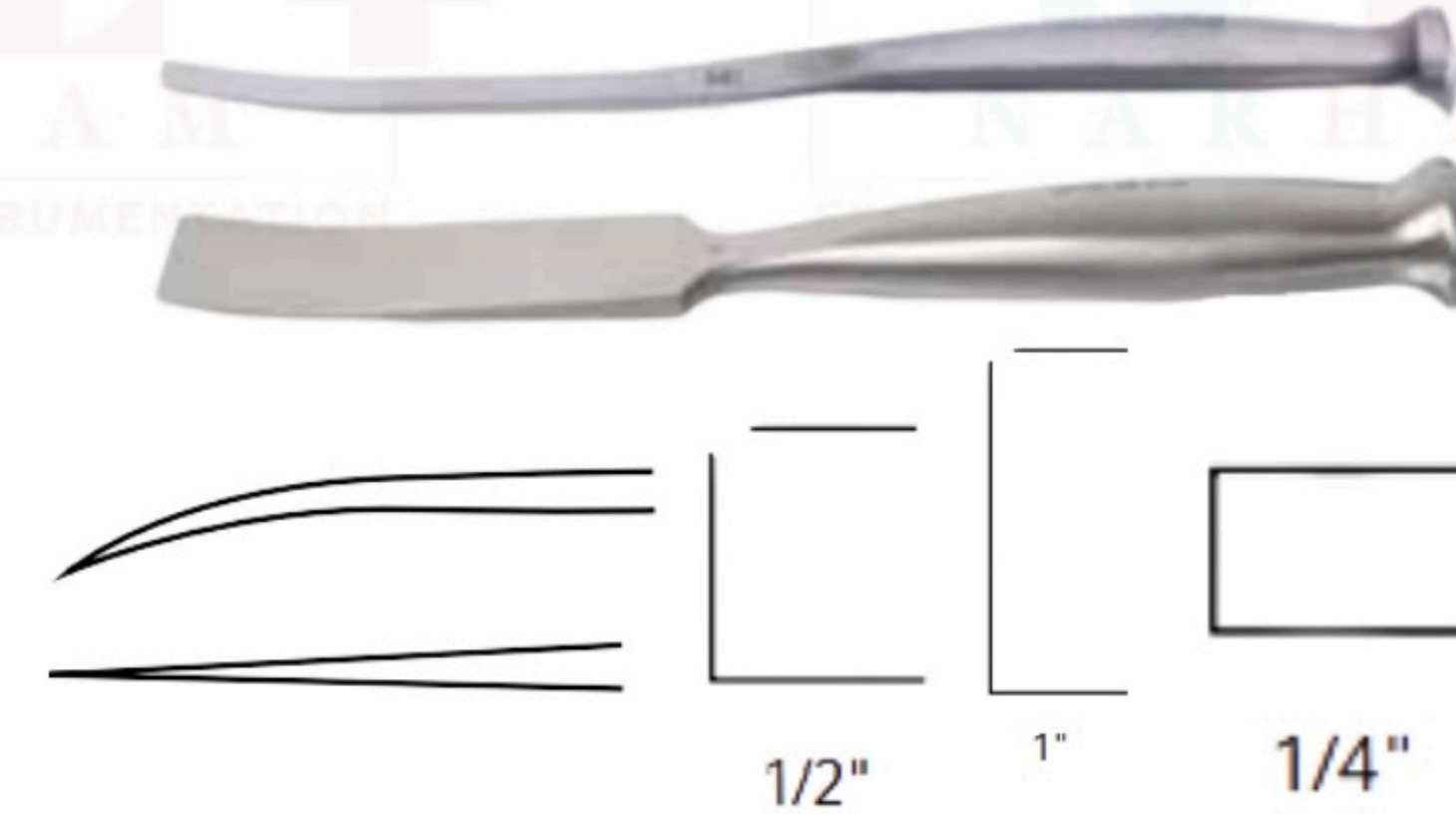


CODE #	TIP WIDTH	TIP LENGTH	SHAFT LENGTH	SHAFT DIAMETER	HANDLE LENGTH	HANDLE LENGTH
NE55642	3/8" (10 mm)	3-1/2"	10"	0.43" (11 mm)	10-3/4"	4-1/4"

SMITH PETERSON

SMITH PETERSON OSTEOTOME

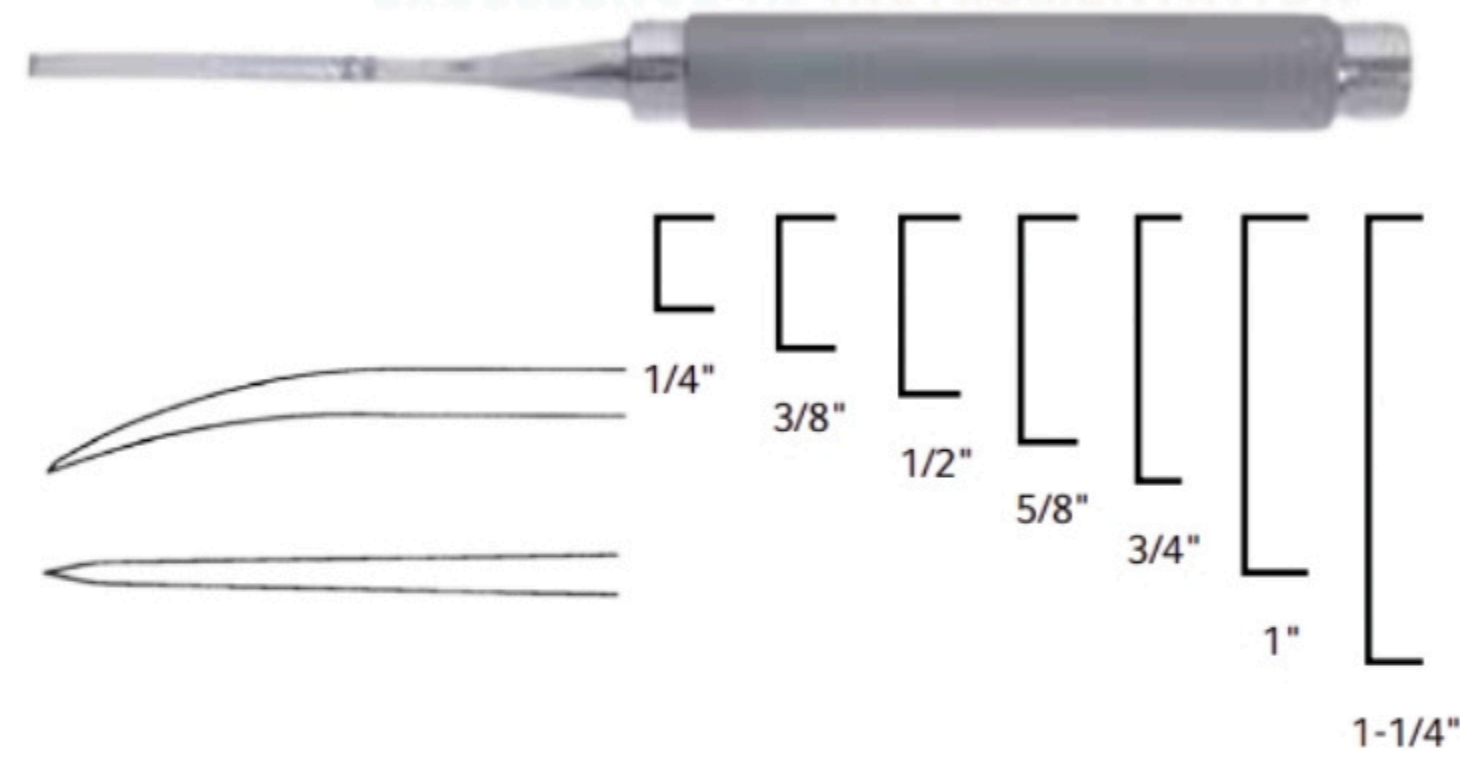
8" (20.5 cm).



CODE #	tip	TIP WIDTH
NE46448	Straight	1/4"
NE46449	Straight	3/8"
NE46450	Straight	1/2"
NE46451	Straight	5/8"
NE46452	Straight	3/4"
NE46453	Straight	1"
NE46454	Straight	1-1/4"
NE46457	Curved	1/4"
NE46458	Curved	3/8"
NE46459	Curved	1/2"
NE46460	Curved	5/8"
NE46461	Curved	3/4"
NE46462	Curved	1"
NE46463	Curved	1-1/4"

INTERCHANGEABLE OSTEOTOME, CHISEL AND GOUGE SET

INTERCHANGEABLE OSTEOTOME, CHISEL AND GOUGE SET

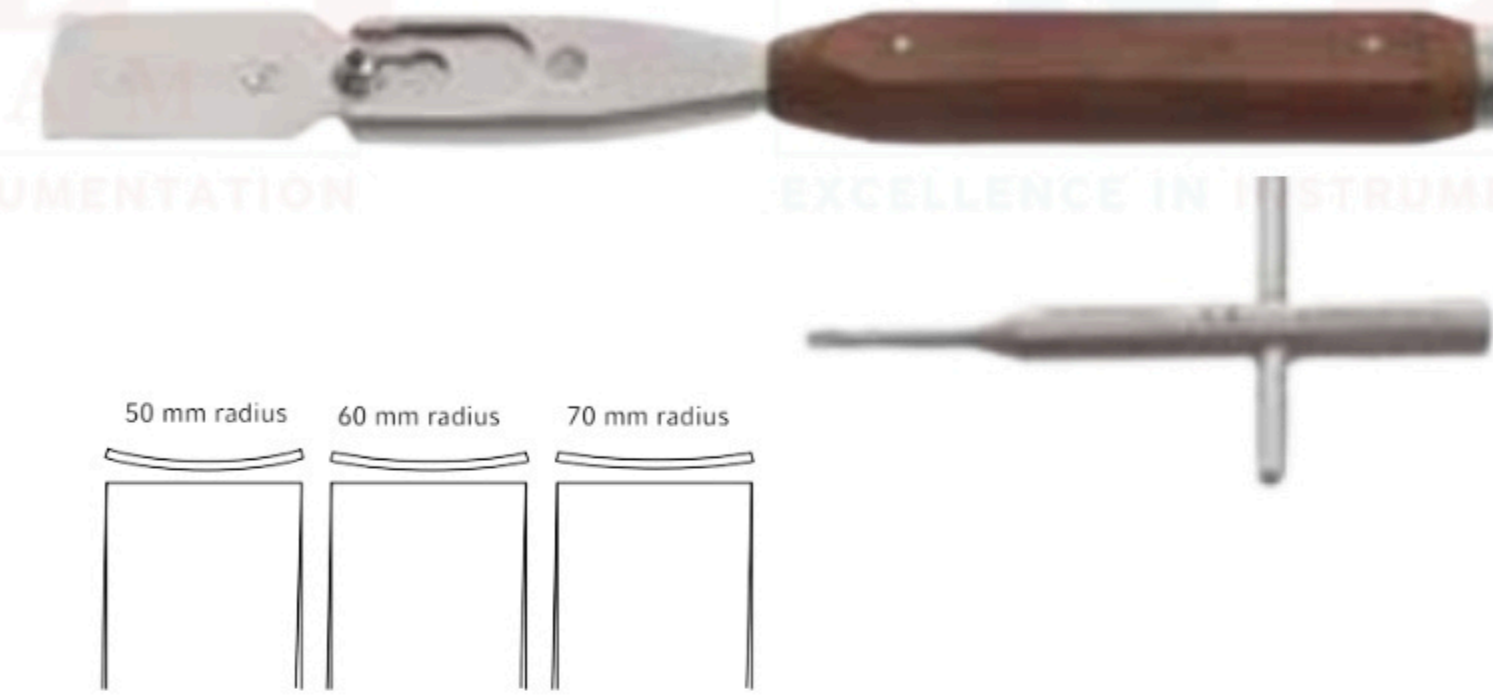


CODE #	DESCRIPTION
NE49630	Complete set with handle, key and all blades
NE49632	Phenolic handpiece only, 7-3/8" (18.5 cm)
NE49634	Key only
NE49668	Osteotome blade, 5 mm
NE49672	Osteotome blade, 10 mm
NE49676	Osteotome blade, 16 mm
NE49680	Osteotome blade, 25 mm
NE49652	Chisel blade, 5 mm
NE49656	Chisel blade, 10 mm
NE49640	Gouge blade, 1" wide, 50 mm radius
NE49644	Gouge blade, 1" wide, 60 mm radius
NE49648	Gouge blade, 1" wide, 70 mm radius

COBB

COBB OSTEOTOME

All stainless steel, 11" (28 cm).



CODE #	tip	TIP WIDTH
NE49350	Straight	1/4"
NE49351	Straight	3/8"
NE49352	Straight	1/2"
NE49353	Straight	5/8"
NE49354	Straight	3/4"
NE49355	Straight	1"
NE49356	Straight	1-1/4"
NE49357	Curved	1/4"
NE49358	Curved	3/8"
NE49359	Curved	1/2"
NE49360	Curved	5/8"
NE49361	Curved	3/4"
NE49362	Curved	1"
NE49363	Curved	1-1/4"